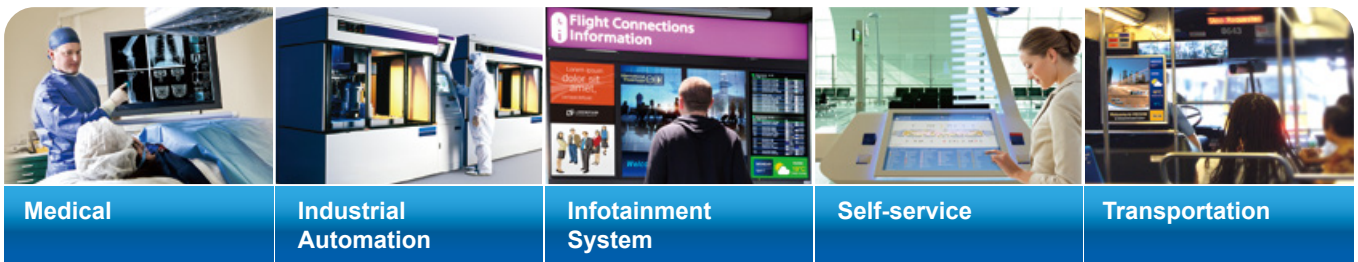


# MTC-4021

21.5" Fanless Multi-Touch Computer, Intel® Core™ i7/ i5/ i3 Processor (Broadwell-U), 6 GigE LAN with 4 PoE+, 2 External SIM Socket, 4 COM, 4 USB, 6V to 36V DC-in with 80V Surge Protection

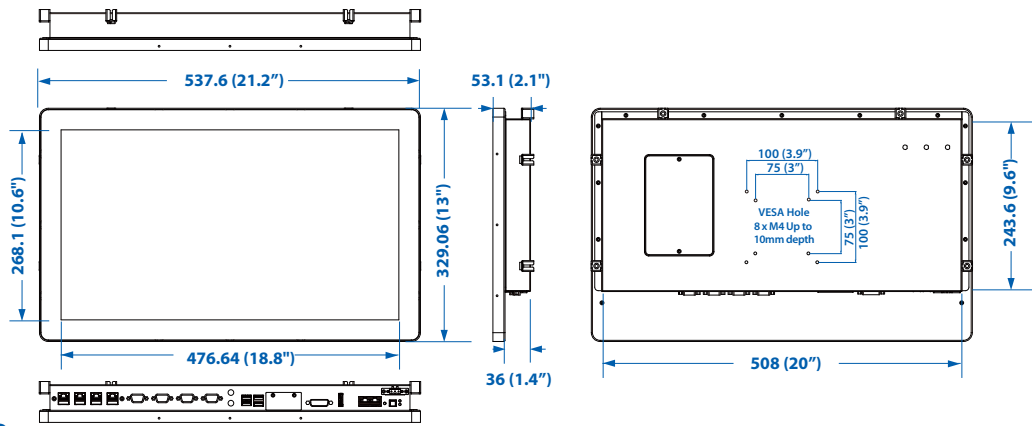


- 21.5" 16:9 Full HD LCD panel with LED backlight
- Projected Capacitive 10-point Multi-Touch Screen with 7H Anti-Scratch Surface
- Touchscreen works with gloves
- Sunlight Readability Requirements (Optional)
- IP65 Front Panel Protection
- Fanless, 5th Generation Intel® Core™ i7/ i5/ i3 Processor (Broadwell-U)
- 6 GigE LAN with 4 IEEE 802.3at PoE+
- 2 SIM Card sockets for 3G/ 4G/ WiFi/ GPRS/ UMTS
- 6V to 36V DC-in, 80V Surge Protection
- External CFast Slot, 2 USB 3.0, 2 USB 2.0, 4 COM



# Dimensions & Drawing

Unit: mm (inch)



## Specifications

### Panel

Type	a-Si TFT-LCD
Viewable Size	21.5" (16:9)
Resolution	1920 x 1080 (Full HD)
Display Color	16.7 M (RGB 8-bit)
Backlight	LED
Brightness (cd/m <sup>2</sup> )	250 (Optional, Up to 1200)
Viewing Angles	89/89/89/89 (L/R/U/D)
Contrast Ratio	3000:1

### Touch Screen

Type	10 points Projected Capacitive
Transparency	≥ 85%
Surface Hardness	7H
Control Interface	USB

### System

Processor	Intel® Core™ i7/ i5/ i3 Processor (Broadwell-U)
SIO	IT8786E
Memory	2 DDR3L 1333/ 1600 MHz SO-DIMMs, up to 16GB
Display	<ul style="list-style-type: none"> <li>DVI-D : Up to 1920 x 1080 @ 60Hz</li> <li>DisplayPort : Up to 3840 x 2160 @ 60Hz</li> </ul>
Audio	1 Mic-in, 1 Line-out
Software Support	Windows 8, Windows 7, Linux

### I/O Interface

Serial	4 COM RS-232/ 422/ 485
USB	<ul style="list-style-type: none"> <li>2 USB 3.0</li> <li>2 USB 2.0</li> </ul>
LAN 1	Intel® I218 GigE LAN supports iAMT 9.5
LAN 2	Intel® I210 GigE LAN
LAN 3	Gigabit IEEE 802.3at (25.5W/48V) PoE+ by Intel® I210 (MTC-4021-PoE Only)
LAN 4	Gigabit IEEE 802.3at (25.5W/48V) PoE+ by Intel® I210 (MTC-4021-PoE Only)
LAN 5	Gigabit IEEE 802.3at (25.5W/48V) PoE+ by Intel® I210 (MTC-4021-PoE Only)
LAN 6	Gigabit IEEE 802.3at (25.5W/48V) PoE+ by Intel® I210 (MTC-4021-PoE Only)

### Storage

SATA HDD	1 SATA III (6Gbps)
mSATA	1 SATA III (Mini PCIe Type, 6Gbps)
Expansion	1 CFast Slot, Push-in/ Push-out Ejector

### Expansion

SIM Card	<ul style="list-style-type: none"> <li>2 SIM Card sockets (External)</li> </ul>
Mini PCIe Slot	<ul style="list-style-type: none"> <li>2 Mini PCIe sockets :                             <ul style="list-style-type: none"> <li>- 1 supports PCIe/ USB/ External SIM</li> <li>- 1 supports PCIe/ USB/ External SIM/ mSATA</li> </ul> </li> <li>3 Pre-cast holes for Antenna</li> </ul>

### Power

Input Voltage	3-pin Terminal Block; DC-in 6V to 36V
Power Adapter	AC to DC 120W power adaptor (Optional)
Surge Protection	Up to 80V/1ms Transient Power

### Others

TPM	Optional Infineon SLB9665 supports TPM 2.0, LPC Interface
Watchdog Timer	Reset : 1 to 255 sec./min. per step
Smart Management	Wake on LAN, PXE supported
HW Monitor	Monitoring temperature, voltages. Auto throttling control when CPU overheats

### Mechanical

Dimensions	537.6 x 329.06 x 53.1mm (21.2"x13"x2.1")
Gross Weight	5.8 KG (12.8 lb)
IP Protection	Front Panel IP65 compliant
Mounting	<ul style="list-style-type: none"> <li>VESA mount (75 x 75mm, 100 x 100mm)</li> <li>Panel mount</li> </ul>

### Environment

Operating Temp.	0°C to 50°C (32°F to 122°F)
Storage Temp.	-20°C to 60°C (-4°F to 140°F)
Humidity	10% to 90% Humidity, non-condensing
Vibration	<ul style="list-style-type: none"> <li>IEC 60068-2-64</li> <li>Non-operation : 10Hz to 200Hz, 1.5 Grms, X, Y, Z, 30 mins each Axis</li> </ul>
Shock	<ul style="list-style-type: none"> <li>IEC 60068-2-27</li> <li>20G, Half-sine, 11ms</li> </ul>
EMC	CE, FCC

## Order Information

MTC-4021-PoE650U	• MTC-4021, 6 GigE LAN with 4 PoE+, 2 SIM, 4 COM, 4 USB, Intel® Core™ i7-5650U, IP65 Front Panel
MTC-4021-PoE350U	• MTC-4021, 6 GigE LAN with 4 PoE+, 2 SIM, 4 COM, 4 USB, Intel® Core™ i5-5350U, IP65 Front Panel
MTC-4021-PoE010U	• MTC-4021, 6 GigE LAN with 4 PoE+, 2 SIM, 4 COM, 4 USB, Intel® Core™ i3-5010U, IP65 Front Panel
MTC-4021-2G650U	• MTC-4021, 2 GigE LAN, 2 SIM, 4 COM, 4 USB, Intel® Core™ i7-5650U, IP65 Front Panel
MTC-4021-2G350U	• MTC-4021, 2 GigE LAN, 2 SIM, 4 COM, 4 USB, Intel® Core™ i5-5350U, IP65 Front Panel
MTC-4021-2G010U	• MTC-4021, 2 GigE LAN, 2 SIM, 4 COM, 4 USB, Intel® Core™ i3-5010U, IP65 Front Panel

DDR3L8G	• Certified DDR3L 8G RAM
DDR3L4G	• Certified DDR3L 4G RAM
PWA-120W	• 120W, 24V, 90VAC to 264VAC Power Adapter with 3-pin Terminal Block
PWA-160W-WT	• 160W, 24V, 85VAC to 264VAC Power Adaptor with 3-pin Terminal Block, Wide Temperature -30°C to +70°C
Panel-Mount	• Panel mount Kit
VESA-Mount	• VESA Table Stand